



KICK-OUT

GETTING STARTED



Thank you for your purchase. SKLZ prepares athletes to be ready for their sport and our team is happy to help you with product or program questions. Reach us by email at customerservice@SKLZ.com or by phone at **877-225-7275 x128**.

BEFORE YOU BEGIN:

- Read all setup and usage instructions carefully
- This product is not suitable for children under the age of 3 years of age
- Adult assembly is required
- When assembling the Kick-Out make sure your fingers are clear when connecting each component.
- Always check equipment for wear or damage before use. If any is found, do not use the product. If any components are missing, please contact SKLZ toll free at 1-877-225-7275

⚠WARNING:

- If this product is used incorrectly, it can damage the product or cause harm to the user.

CARE:

- Do not store in extremely high or low temperatures to avoid damaging or reducing the life of the product
- Do not leave the Kick-Out outdoors for extended period of time

IDEA SUBMISSION

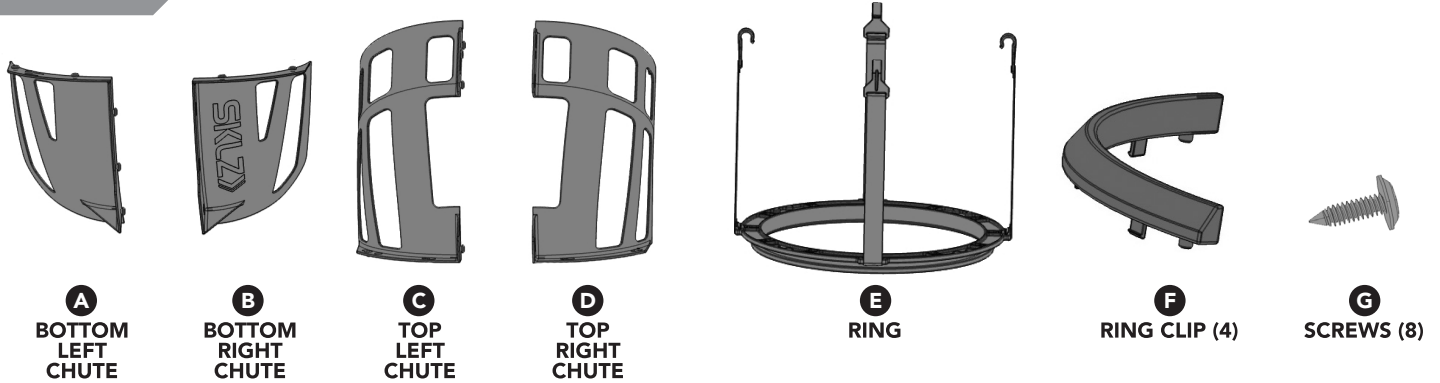
If you have an idea for a new and innovative sports training product, visit SKLZ.com to submit your concept.

Some restrictions may apply.

1 YEAR LIMITED WARRANTY. This warranty does not cover damages resulting from accident, misuse, abuse or lost merchandise, and is only valid in the USA. Register your product at SKLZ.com to ensure warranty coverage, and get new product information and special deals from SKLZ. Questions? Email: customerservice@sklz.com or call toll free: **877-225-7275**

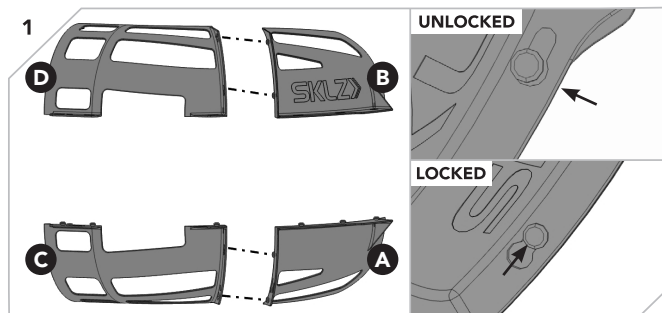
Made in China. ©2014 Pro Performance Sports, LLC. All rights reserved. Manufactured and distributed by SKLZ/Pro Performance Sports: 2081 Faraday Avenue, Carlsbad, CA 92008 U.S.A. SKLZ, SKLZ Pro Grade, SKLZ Chrome and Sport-Brella are registered trademarks of Pro Performance Sports, LLC., its subsidiaries and affiliates. Product features, appearance, and specifications may be subject to change without notice. Unauthorized duplication is a violation of applicable local and international laws.

IN THE BOX

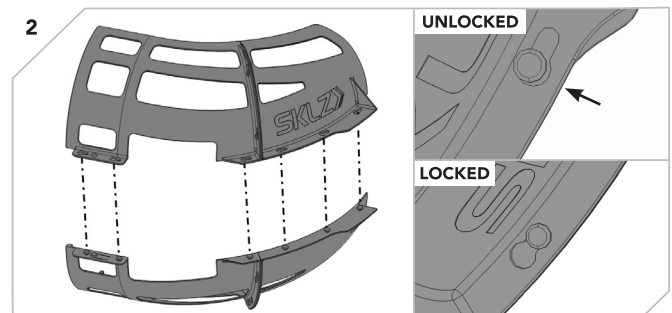


GETTING STARTED

ASSEMBLE CHUTE

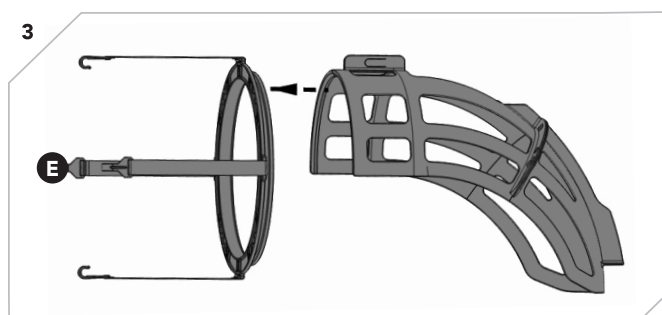


Attach the bottom left chute (A) to top left chute (C) by placing the knobs from part A into the openings in part (C). Once in place, slide them into the locking position. Repeat to connect the bottom right chute (B) and the top right chute (D).

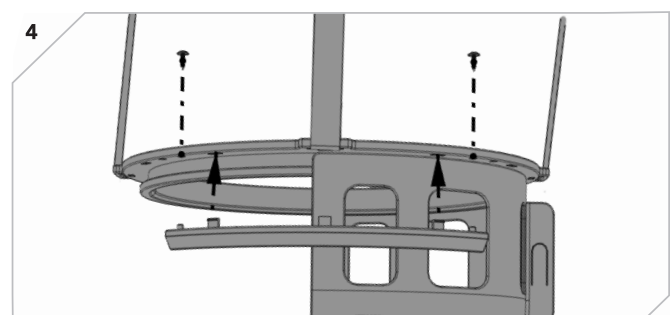


Connect the two pieces that were just assembled by placing the knobs from the right side of the chute into the openings on the left side of the chute. Once in place, slide them into the locking position.

ATTACH CHUTE TO RING



Place the assembled chute from the previous step around the ring (E).



Secure the chute to the ring (E) by using the ring clips (F) and screws (G). The ring clips will clip into the ring, insert screw (G) into the ring and tighten to attach the chute. Repeat for all four clips.

SETUP AND USE



Lower your height-adjustable hoop or get on a ladder. Clip the plastic hooks onto the rim from the inside with even spacing. The net will be on the inside of the Kick-Out.



Grab the lip at the bottom of the chute and rotate to the position you'd like the ball returned to.